

CS-4804SN

48+4 Port 25G Managed L3 Switch with 400G Uplink



- 48x 25GbE SFP28 Slot
- 4x 400 Gigabit Ethernet QSFP56-DD Slot
- RSTP, MSTP, ERPS, LACP for Network Redundancy
- QoS CoS/DSCP Diffserv to increase determinism
- Supports IGMP Snooping v1/v2/v3, up to 4096 groups
- DHCP Relay Option 82 for policies IP address assignment
- SNMP v1/v2c/v3 for network management
- Supports Storm Protection
- USB storage for configuration-free replacement

Specifications

Technology

IEEE 802.3bs 400/200GBASE Fiber
IEEE 802.3ba 100GBASE Fiber
IEEE 802.3by 25GBASE Fiber
IEEE 802.3ae 10GBASE Fiber
IEEE 802.3x Flow Control
IEEE 802.3az Energy-Efficient Ethernet
IEEE 802.3ad/802.1AX LACP
IEEE 802.1D Spanning Tree Protocol
IEEE 802.1w Rapid STP
IEEE 802.1s Multiple STP
ITU-T G.8032 / Y.1344 ERPS
IEEE 802.1Q VLAN Tagging
IEEE 802.1ad Stacked VLANs
IEEE 802.1p Class of Service
IEEE 802.1X Network Authentication
IEEE 802.1AB LLDP
IEEE 1588 PTP

Standards

Processing Type Store and Forward, Cut Through

Switch Properties

Switch Fabric 5.6Tbps

Priority Queues 12 Queues

Jumbo Frame 12,284byte

MAC Table Size 256K

Packet Buffer 320Mbits

VLAN Table Size 4094

IGMP Group 4096

ACL Group 12K

Routing Entries (IPv4/IPv6) 288K/192K host, 705K/181K LPM

Software Feature

Network Redundancy RSTP, MSTP, G.8032 ERPSv2, Port Trunking with LACP

Security 802.1X, RADIUS, TACACS+, SSL, SSH, ACL

Management IPv4, IPv6, Web, Telnet, Serial Console, CLI, SFTP, SNMP v1/v2c/v3, uPnP

Diagnostics RMON, SNMP Inform/Trap, Syslog, SMTP, Port Mirroring, LLDP, Cable Diagnostic

Configuration DHCP Server/Client, Relay Option 82, TFTP, USB

Filter 802.1Q VLAN, Q-in-Q, IGMP Snooping v1/v2/v3, IGMP Querier, Independent Vlan Learning

Time Sync. NTP, IEEE1588v2 OC (Software Timestamp), BC (Software Timestamp), TC (Hardware Timestamp)

QoS CoS, DSCP, WRR/SPQ Queuing, Storm Protection, Bandwidth Control, Diffserv

L3 Switching Static Routing, RIP v1/v2, RIPng, OSPF v2, OSPF v3, VRRP v2, PIM-SM

Interface

Fiber Port 48x 25 Gigabit SFP28 Slot
4x 400 Gigabit QSFP56-DD Slot

LED Indicators Per unit: PWR, Status, Ports: Link/Active

Button Multiple functions reset button

Fan 5x

Serial Console	1x RS232 in RJ45 connector with console cable, 115.2Kbps, 8N1
Storage	1x USB 2.0 storage for firmware update, configuration backup, restore, boot up and syslog

Power Requirements

Operation Voltage	100~240VAC
Connection	AC socket
Power Consumption	150W
Protection	Overload Current Protected

Mechanical Construction

Enclosure	Steel metal
Protection Class	IP30
Dimensions	440x44x331 mm (WxHxD)
Weight	6.00 kg
Mounting	Rack Mounting

Environmental Limits

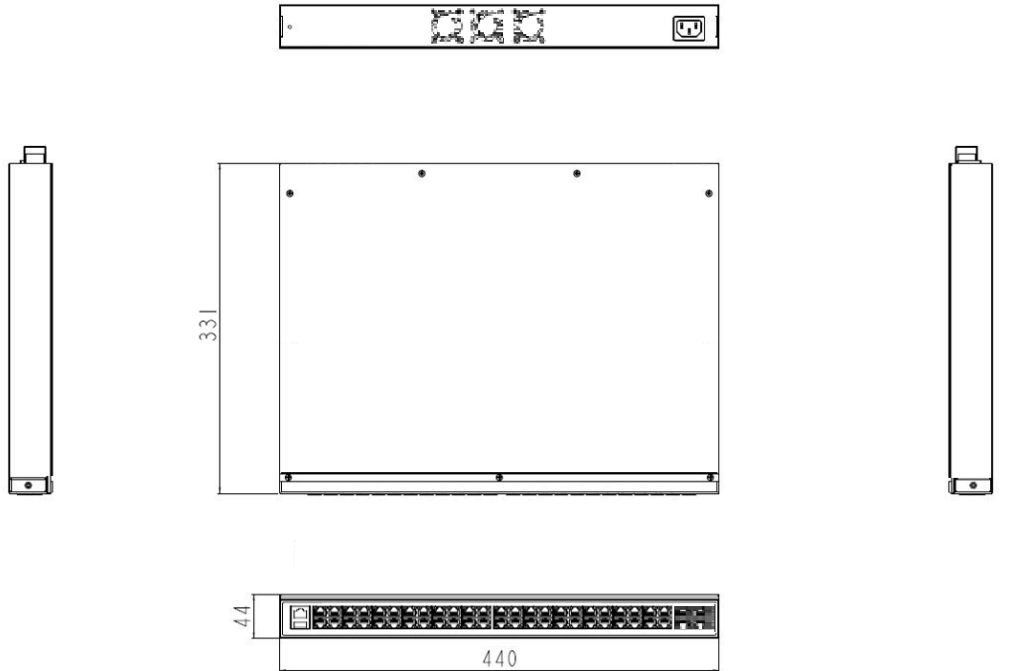
Operating Temperature	0°C ~ 50°C (32°F ~ 122°F)
Storage Temperature	-40°C ~ 85°C (-40°F ~ 185°F)
Ambient Relative Humidity	5 to 95%, (Non-Condensing)

Regulatory Approvals

EMI	FCC Part 15 Subpart B Class A CE EN 55032 Class A
EMS	IEC61000-4-2 (ESD) IEC61000-4-3 (RS) IEC61000-4-4 (EFT) IEC61000-4-5 (Surge) IEC61000-4-6 (CS) IEC61000-4-8 (Magnetic Field)
Free Fall	IEC60068-2-32
Green	RoHS Compliant
MTBF	>100,000 hours
Warranty	3 Years

Features with star(*) implies those are under development.
In a continuing effort of improvement and updated technology, product specifications are subject to change without notice.

Dimensions (unit = mm)



Ordering Information

CS-4804S-1AC	48+4 Port 25G/400G Managed L3 Switch
	- 48x 25 Gigabit Ethernet SFP28 Slot
	- 4x 400 Gigabit Ethernet QSFP56-DD Slot
	- Operating Temperature: 0°C ~ 50°C (32°F ~ 122°F)
	- 1x 100~240VAC Power Input